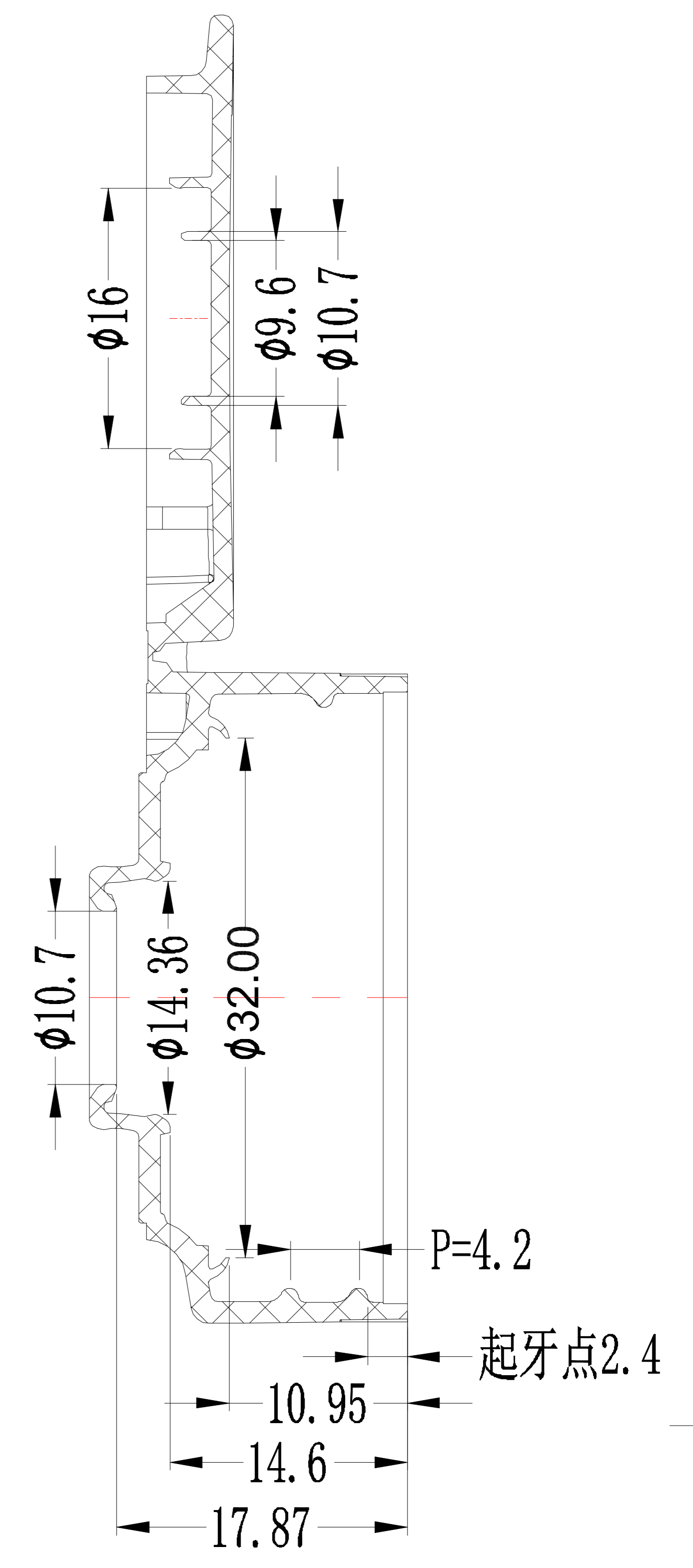
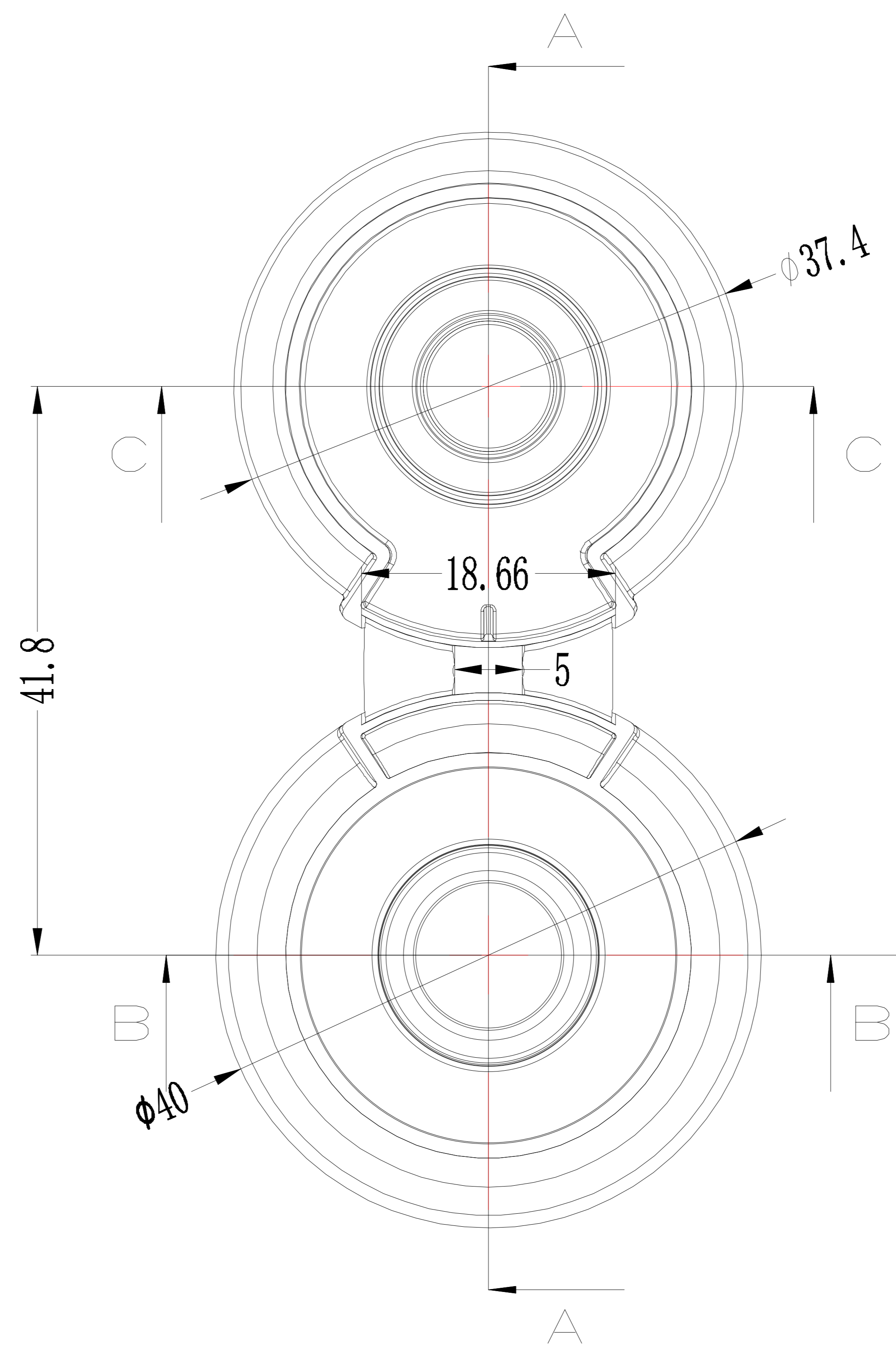
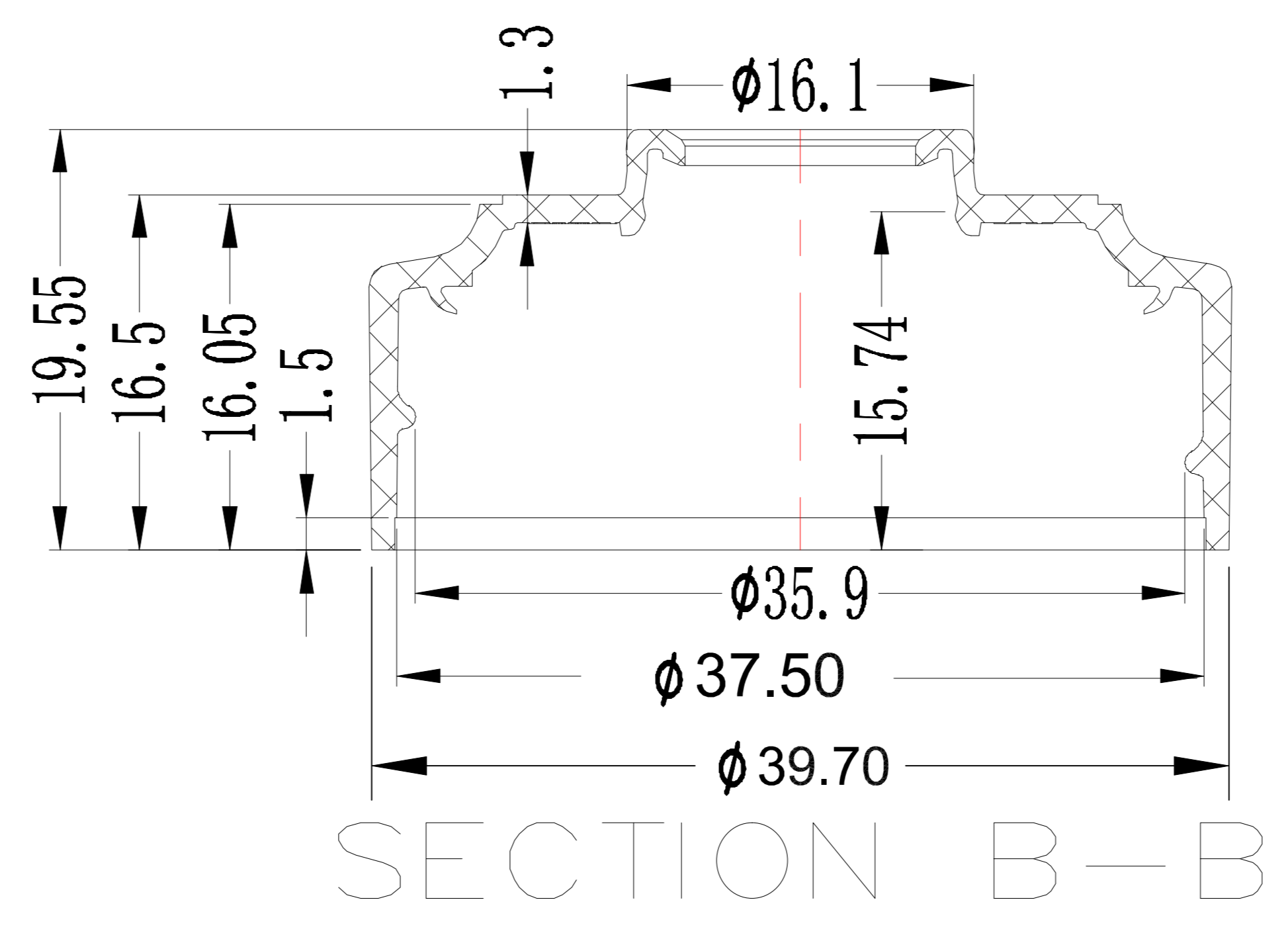


SECTION C-C



SECTION A-A



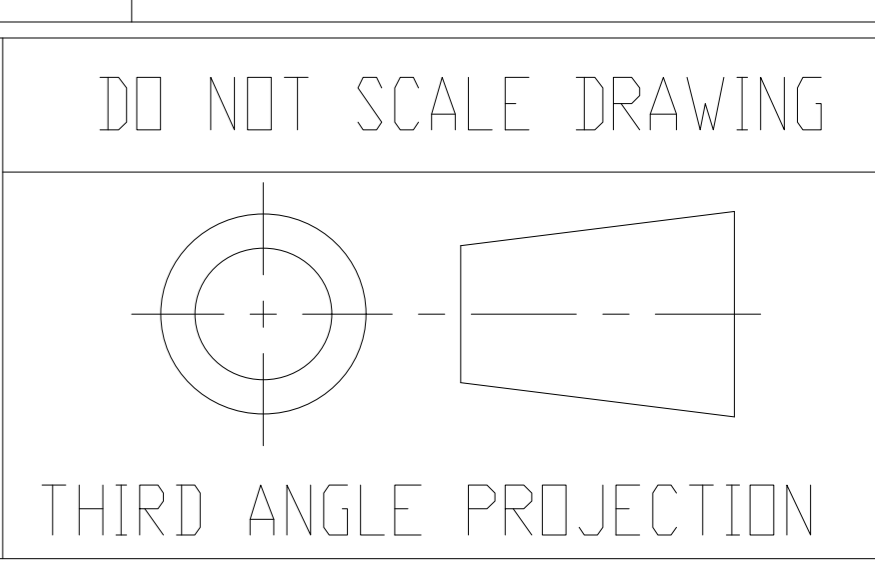
SECTION B-B

注：尺寸公差±0.2mm

技术要求：

- 1、产品结构完整、成型饱满；
- 2、表面光滑、无变形、划痕、收缩、气泡、披锋、缺损；
- 3、色泽均匀、无色差；
- 4、外观无污染、异味油污等。

NO.	DESIGNATION	DIMENSION	QTY'	MATERIAL	REMARK
PRODUCT NAME: 38-400博士帽食品盖					PART NO: HJ0002
OTHERWISE STATED	MODEL NO:	***	DATE	MATERIAL	PP
1-5mm ±0.20mm	DRAWN BY:			SHRINKAGE	***
5-10mm ±0.25mm	CHECKED BY:			SCALE	
10-20mm ±0.30mm	APPROVED BY:			SHEET 1	OF 1
20-30mm ±0.35mm					
30mm以上 ±0.40mm					
UNIT: mm	A4	CAD FILE:			REV: 00



THIRD ANGLE PROJECTION

DO NOT SCALE DRAWING